

INNOVATION IN COMPOSITE DESIGN AWARD

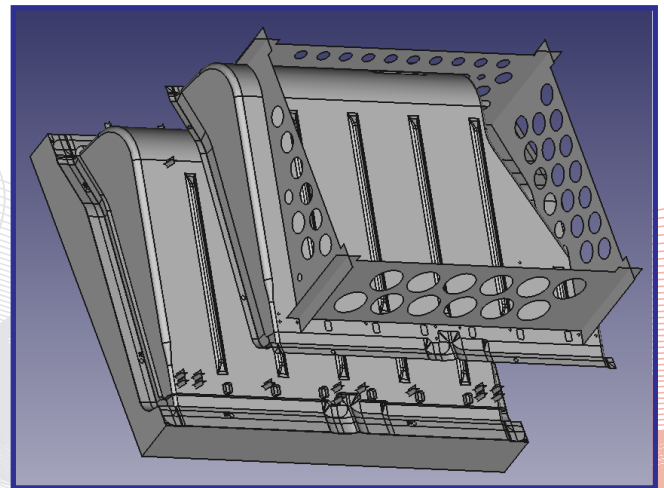
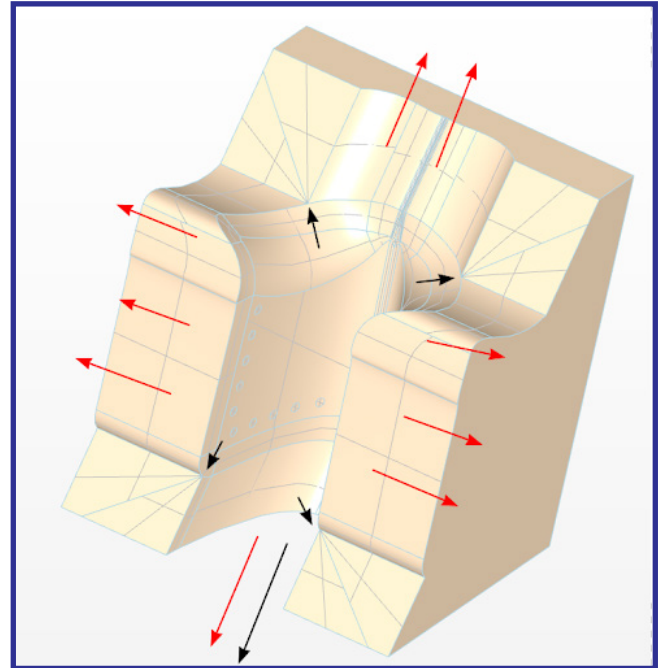
WINNER: Plyable

Plyable's Automated Mould Design Technology is the world's first AI-driven platform that automates the entire mould design process.

This innovative tool turns days of manual work into minutes, enabling engineers to upload CAD files, receive quick quotes, and generate precision moulds. This technology replaces traditionally manual design work with advanced algorithms that handle everything from initial input to final design, enabling rapid iterations and greater efficiency.

By streamlining the entire workflow, Plyable sets a new standard for speed and precision in mould design, allowing engineers to focus on higher-value tasks and driving faster innovation across the industry.

Learn more at: www.plyable.com



AWARD SPONSOR

